

ABS lifting station Sanimat 1501-3702

Flood-proof lifting station for automatic pumping of wastewater and sewage from areas below the backwash level in accordance with EN 12050-1. Ideal for effective dewatering of areas such as apartment blocks, hospitals, hotels and large commercial developments. Suitable for new installations or for renovation of old buildings.

Features

- Sturdy construction; easily transported and fitted. Compact dimensions allow passage through a standard door opening.
- Four outflow port options (DN 100) for fitting with selected pumps from the AS or AFP ranges. Can be fitted with one pump (Sanimat 1501 & 2501) or two (Sanimat 1502, 2502 & 3702).
- Six inflow port options: four horizontal (1 x DN 100, 2 x DN 150, 1 x DN 200) and two vertical (1 x DN 100, 1 x DN 150). Also features one connection (DN 70) for a vent pipe and two connections (Ø 50 mm) for connection of a hand membrane pump.
- Fitted with pneumatic level control pipe for automatic level control (requires connection to control panel).
- AS and AFP pumps feature blockage-free Contrablock hydraulics, seal monitoring and temperature control.
- Pump discharge DN 80 or DN 100 with flange connection.
- Option of AFP pumps as AFP(K) version with closed loop cooling system.
- Maximum allowable medium temperature 40 °C; or up to 60 °C intermittent (max. 5 minutes).

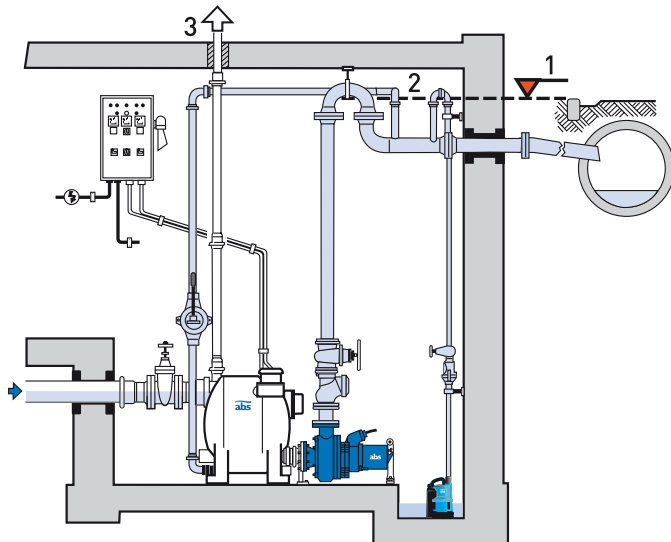


Materials

Description	Material
Tank	Polyethylene
Motor housing	Cast iron EN-GJL-250
Rotor shaft	Stainless steel 1.4021 (AISI 420)
Volute	Cast iron EN-GJL-250
Impeller	Cast iron EN-GJL-250
Bottom plate	Cast iron EN-GJL-250

Installation

Attention to the backwash level is of vital importance for effective dewatering. All outflow points located below the backwash level must be protected against back flow according to standard EN 12056-4.



1. Backwash level
2. Backwash loop with base below the backwash level
3. External ventilation pipe

Rooms for sewage lifting stations must be large enough that a working area of at least 60 cm width or height is available around all parts which have to be operated or maintained. A pump sump has to be provided for dewatering of the room itself.

Tank

Synthetic, corrosion-resistant, gas- and odour-tight tank in accordance with EN 12050-1. Supplied as standard with cap(s), seals, and pressure pipe with R $\frac{1}{2}$ " connection piece (pumps not included).

Capacity (L): 143 (Sanimat 1500)
244 (Sanimat 2500)
348 (Sanimat 3700)

Weight (kg)*: 21 (Sanimat 1500)
26 (Sanimat 2500)
32 (Sanimat 3700)

Switching levels (mm): 75 (Sanimat 1500)
125 (Sanimat 2500)
182 (Sanimat 3700)

* Does not include weight of pump(s).

Pump

With mechanical and lip seals, oil chamber, seal monitoring, and thermal sensors in the stator to prevent overheating. AFP(K) has the option of double mechanical seals or a seal cartridge. Water pressure sealed, squirrel cage 2- or 4-pole induction motor. Insulation: Class F (155 °C); Class H (180 °C) for AFP(K) version. Protection type IP 68.

See AS and AFP data sheets for full specifications.

Technical Data

Sanimat	Pump	Motor	Pump discharge DN	Solids size (mm)	Rated voltage (V)	Motor power * (kW)		Rated current (A)	Speed (r/min)	Cable ** type / Starting	Pump *** weight (kg)
						P ₁	P ₂				
1501/2	AS 0840	S17/2	80	30	400 3~	2.31	1.70	3.97	2900	(a) / DOL	33
	AS 0840	S26/2	80	30	400 3~	3.43	2.60	5.64	2900	(a) / DOL	39
	AFP 0841	S13/4	80	80	400 3~	1.93	1.30	3.60	1450	(a) / DOL	41
	AFP 0841	S22/4	80	80	400 3~	2.88	2.20	5.15	1450	(a) / DOL	56
	AFP 1041	M22/4	100	90	400 3~	2.88	2.20	5.15	1450	(b) / DOL	78
2501/2	AS 0840	S17/2	80	30	400 3~	2.31	1.70	3.97	2900	(a) / DOL	33
	AS 0840	S26/2	80	30	400 3~	3.43	2.60	5.64	2900	(a) / DOL	39
	AFP 0841	S13/4	80	80	400 3~	1.93	1.30	3.60	1450	(a) / DOL	41
	AFP 0841	S22/4	80	80	400 3~	2.88	2.20	5.15	1450	(a) / DOL	56
	AFP 1041	M22/4	100	90	400 3~	2.88	2.20	5.15	1450	(b) / DOL	78
	AFP 1041	M30/4	100	90	400 3~	3.95	3.00	7.00	1450	(b) / DOL	80
2502	AFP 1042	M40/4	100	90	400 3~	5.00	4.00	8.87	1450	(c) / YΔ	107
	AFP 1042	M60/4	100	90	400 3~	7.22	6.00	12.50	1450	(c) / YΔ	110
3702	AFP 0841	S13/4	80	80	400 3~	1.93	1.30	3.60	1450	(a) / DOL	41
	AFP 0841	S22/4	80	80	400 3~	2.88	2.20	5.15	1450	(a) / DOL	56
	AFP 1041	M22/4	100	90	400 3~	2.88	2.20	5.15	1450	(b) / DOL	78
	AFP 1041	M30/4	100	90	400 3~	3.95	3.00	7.00	1450	(b) / DOL	80
	AFP 1042	M40/4	100	90	400 3~	5.00	4.00	8.87	1450	(c) / YΔ	107
	AFP 1042	M60/4	100	90	400 3~	7.22	6.00	12.50	1450	(c) / YΔ	110

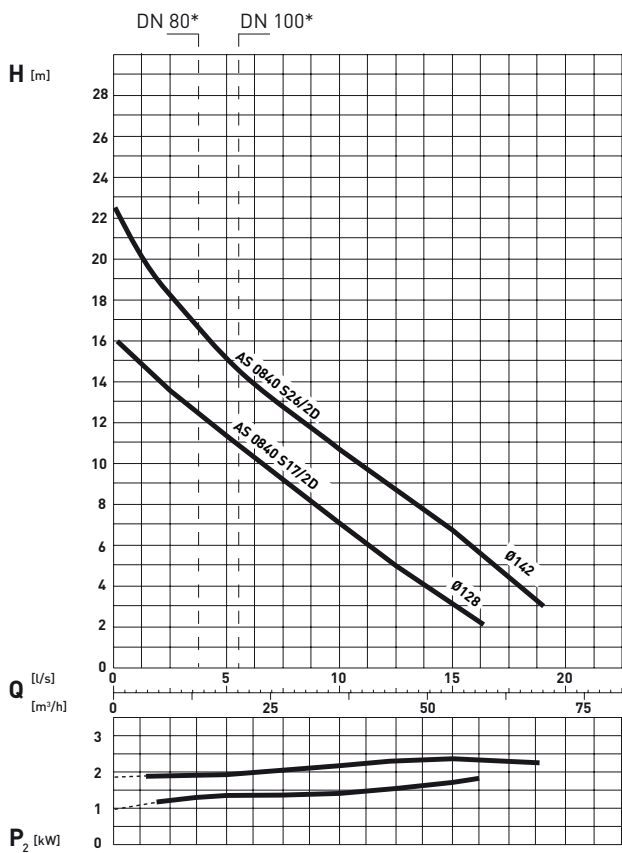
* P₁ = power at mains P₂ = power at motor shaft

** Neoprene H07RN-F: (a) 4G1.5
Cable length = 10 m
(b) 7G1.5
(c) 10G1.5

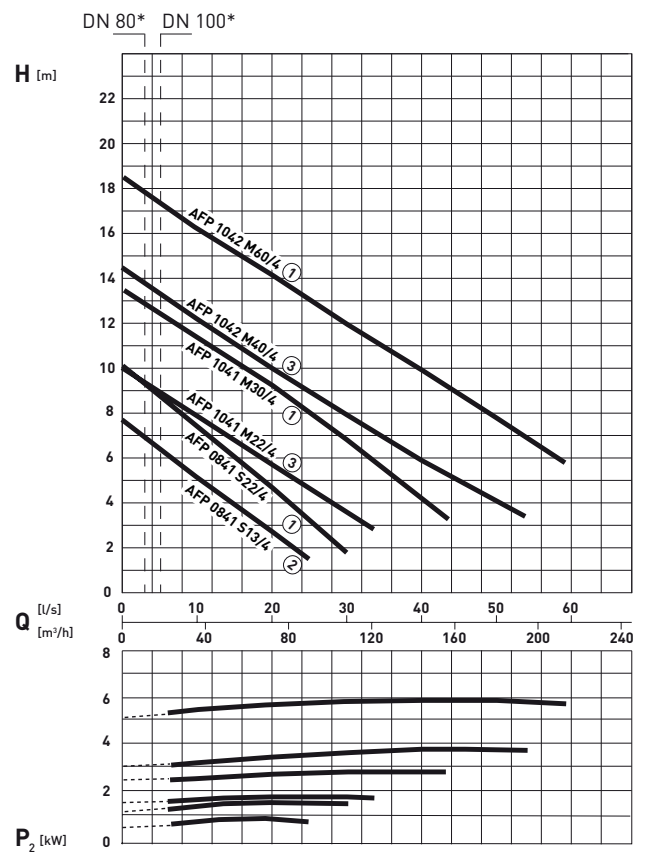
*** Hand membrane pump = 13 kg

Performance curves

AS (2-pole)



AFP (4-pole)

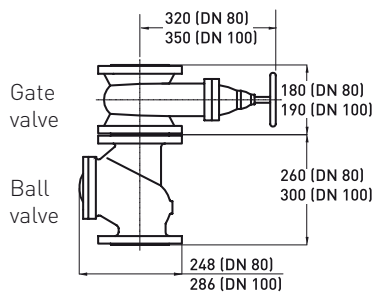


* Minimum flow rate Q for discharge pipe. H = Total head; Q = Discharge volume; Curves to ISO 9906

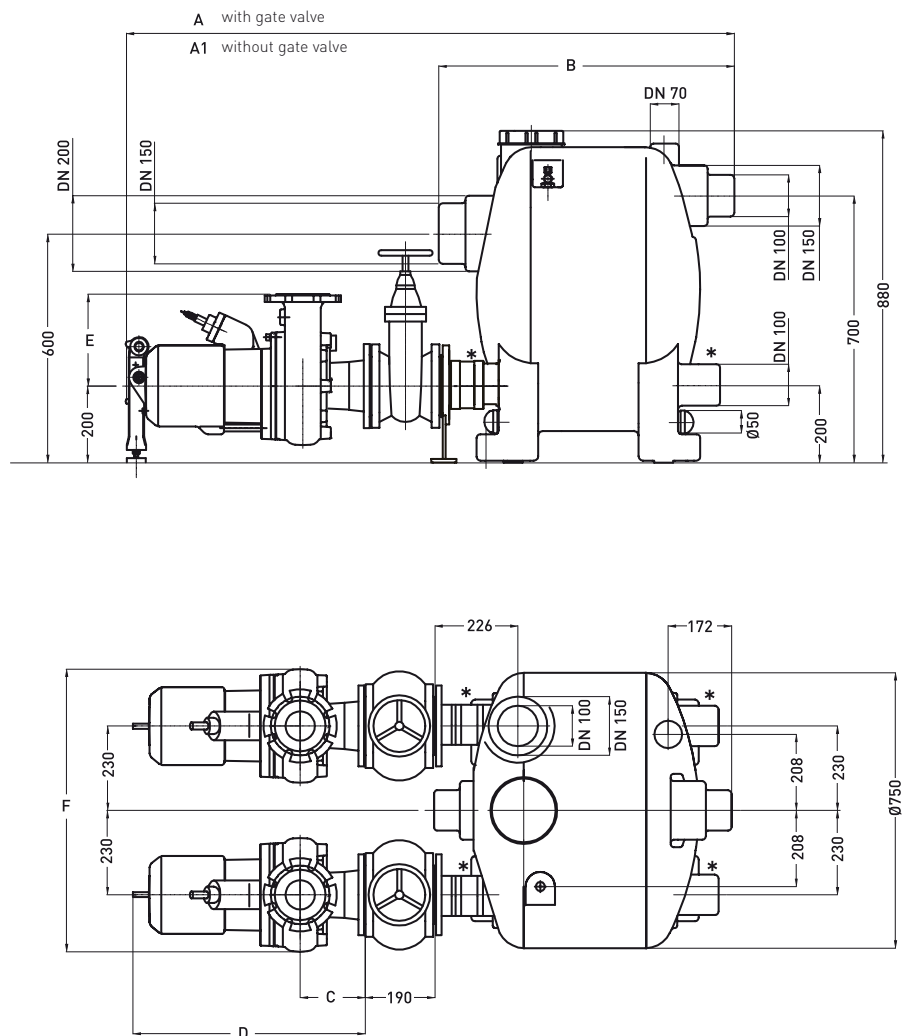
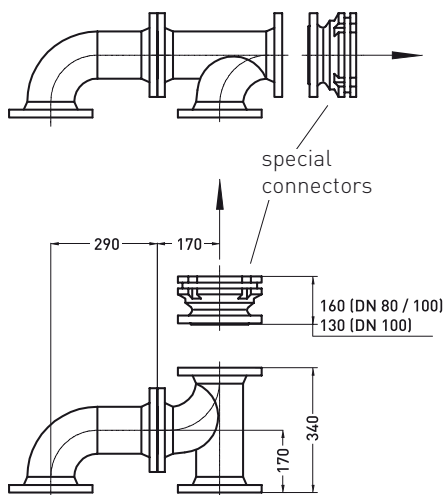
Dimensions

Sanimat	Pump	Motor	Dimensions (mm)						
			A	A1	B	C	D	E	F
1501/2	AS 0840	S17/2	1247	1057	590	143	468	130	680
	AS 0840	S26/2	1259	1069	590	143	480	130	680
	AFP 0841	S13/4	1350	1160	590	205	590	240	765
	AFP 0841	S22/4	1350	1160	590	205	590	240	765
	AFP 1041	M22/4	1421	1231	590	193	626	265	811
2501/2	AS 0840	S17/2	1467	1277	810	143	468	130	680
	AS 0840	S26/2	1479	1289	810	143	480	130	680
	AFP 0841	S13/4	1570	1380	810	205	590	240	765
	AFP 0841	S22/4	1570	1380	810	205	590	240	765
	AFP 1041	M22/4	1641	1451	810	193	626	265	811
	AFP 1041	M30/4	1641	1451	810	193	626	265	811
2502	AFP 1042	M40/4	1766	1576	810	246	744	265	840
	AFP 1042	M60/4	1766	1576	810	246	744	265	840
3702	AFP 0841	S13/4	1820	1630	1060	205	590	240	765
	AFP 0841	S22/4	1820	1630	1060	205	590	240	765
	AFP 1041	M22/4	1891	1701	1060	193	626	265	811
	AFP 1041	M30/4	1891	1701	1060	193	626	265	811
	AFP 1042	M40/4	2016	1826	1060	246	744	265	840
	AFP 1042	M60/4	2016	1826	1060	246	744	265	840

Valves



Junction piece



* These connection points are suitable only for the fitting of pumps and are not to be used as inflow ports.

Accessories

	Description	Size	Part no.
Discharge side	1) Non-return Valve (EN-GJL-250) ball valve with inspection hatch and venting screw. Includes one set of bolts and one gasket. Flange connection, PN10 rated.	DN 80 DN 100	61400534 61400535
	2) Gate Valve (EN-GJL-250) with hand wheel, one set of bolts and one gasket. Flange connection, PN10 rated.	DN 80 DN 100	61420500 61420501
	3) Junction Piece (galvanised steel) to join two discharge lines in the case of a twin pump station. Flange connection, PN16 rated.	DN 80/80/80 DN 100/100/100	62610025 62610026
	4) Special Connection Piece (EN-GJL-250) for flexible connection of the discharge line.	DN 80/80 DN 80/100 DN 100/100	62550008 62550009 62550007
	5) Pump Mounting Kit includes clamps, gaskets, seals and head support.	DN 80 (AS) DN 80 (AFP) DN 100 (AFP)	62665108 62665174 62660043
	6) Hand Membrane Pump (EN-GJL-250) with integral non-return valve, flexible connection piece with clamps for connection to tank, and wall-fixing kit.	G 1½"	62660036
Inflow side	7) Flanged Sleeve E-KS (EN-GJL-250) transition piece DIN flange/push-on sleeve with one set of bolts and one gasket. Two sleeves needed for each valve.	DN 100 DN 150	62540025 62540026
	8) Gate Valve (EN-GJL-250) with hand wheel, one set of bolts and one gasket. Flange connection, PN10 rated.	DN 100 DN 150	61420501 61420503
Electrical	Control Panel with level control and alarm. Contact ABS for details of range available.		

Accessories 1-5, 7 & 8 are required for installation of tank; hand membrane pump is optional but recommended.

